

CM Lodestar Control Station Two Speed Parts List

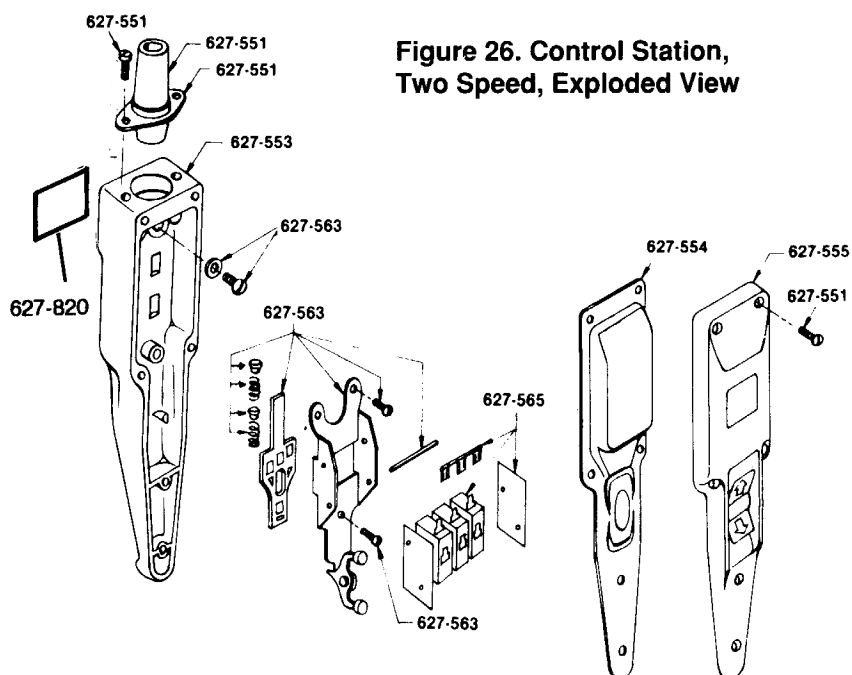
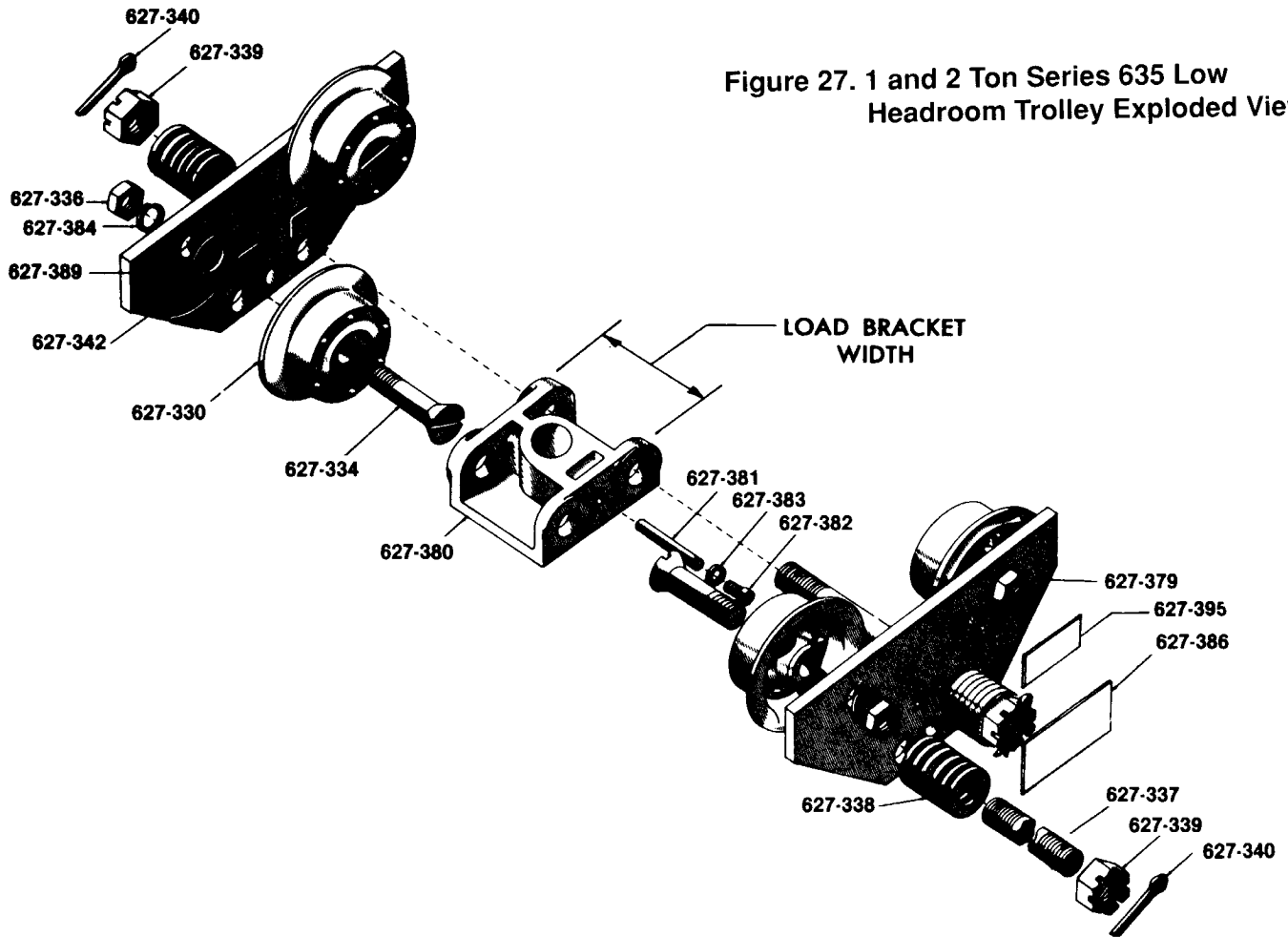


Figure 26. Control Station,
Two Speed, Exploded View

Parts List			
Key No.	Part Name	No.Req'd	Part Number
627-551	Control Station Kit Consists of: 1-Neoprene Grommet 1-Grommet Retainer Ring 2-Grommet Retainer Ring Attaching Screw 6-Cover Attaching Screw 1-Strain Relief Screw 1-Strain Relief Screw Washer	1	36634
627-553	Case	1	28872
627-554	Gasket	1	28875
627-555	Cover Assembly (Decal and Rocker Included)	1	51478
627-563	Control Station Parts Kit Consists of: 1-Spring 1-Strain Relief Attaching Screw 1-Strain Relief Attaching Screw Washer 2-Switch Attaching Pin 1-Sliding Cam 2-Spring End Support 3-Switch Mounting Plate & Rocker Assembly Attaching Screw 1-Rocker Assembly 1-Cam Return Spring	1	51473
627-565	Control Station Switch Kit Consists of: 3-Switch 2-Insulator 1-Jumper	1	51474
627-82U	Warning Label	1	24842
627-872	Control Station Consists of: 627-553, 627-554, 627-555, 627-563, 627-820, 1-Spring, 2-Switch Attaching Pin, 1-Sliding Cam, 2-Spring End Support, 3-Switch Mounting Plate and Rocker Assembly Attaching Screw, 1-Rocker Assembly and 1-Jumper	1	*36693

*Also order Control Station Kit Key No. 627-551, Part No. 36634.

Figure 27. 1 and 2 Ton Series 635 Low Headroom Trolley Exploded View



Parts List					
Key No.	Part Name	No. Req'd.		Part Number	
		1 Ton	2 Ton	1 Ton	2 Ton
627-330	Trackwheel	4	4	35774	50762
627-334	Trackwheed Stud	4	4	987790	35838

627-336	Trackwheel Stud Nut	4	4	982520	948804
627-337	Suspension Bolt (Special Alloy Steel Bolt):				
	*9 5/32" long	2	-	35450	-
	**10 1/4" long	2	-	35407	-
	t 10" long	-	2	-	35445
	tt 12 1/16" long	-	2	-	35414
627-338	Trolley Spacer Washers:				
	*0.165" Thick	40	-	35782	
	**0.125" Thick	38	-	958822	
	t 0.165" Thick	-	32	-	35783
	tt 0.125" Thick	-	38	-	988039
627-339	Suspension Bolt Nut	4	4	948803	958818
627-340	Suspension Bolt Nut Cotter Pin	4	4	988343	988368
627-342	***Side Frame, Plain Side, w/o Trolley Guards	2	2	35640	35634
	***Side Frame, Plain Side, Trolley Guards	2	2	35635	35636
627-379	***Side Frame, I.D. Plate Side, w/o Trolley Guards	2	2	35640	35634
	***Side Frame, I.D. Plate Side, with Trolley Guards	2	2	35635	35636
627-380	Load Bracket:	1	1		
	*3 7/16 Wide			35019	-
	**5 13/32 Wide			35024	-
	t 4 3/16 Wide			-	35033
	tt 6 11/16" Wide			-	35043

627-381	Vertical Load Bar Pin (Special Alloy Steel Pin):	1	1		
	*2 11/16 Long			35371	-
	**2 7/8" Long			-	35413
	t 3 3/4" Long			-	35400
627-382	Vertical Load Bar Pin Screw:	1	1		
	*1/2" Long			982383	-
	**1 1/4" Long			982386	-
	t 3/4" Long			-	982433
	tt 1 1/2" Long			-	987209
627-383	Vertical Load Bar Pin Screw L.W.	1	1	983548	983547
627-384	Trackwheel Stud Nutt L.W.	4	1	987923	987924
627-386	Identification Label	1	1	36916	36917
627-389	Trackwheel Washer	-	1	-	987903
627-395	Warning Label	1	1	936984	936984

*These items are for the 1 Ton Trolley for operation on 2.66" thru 5.64" flange widths.

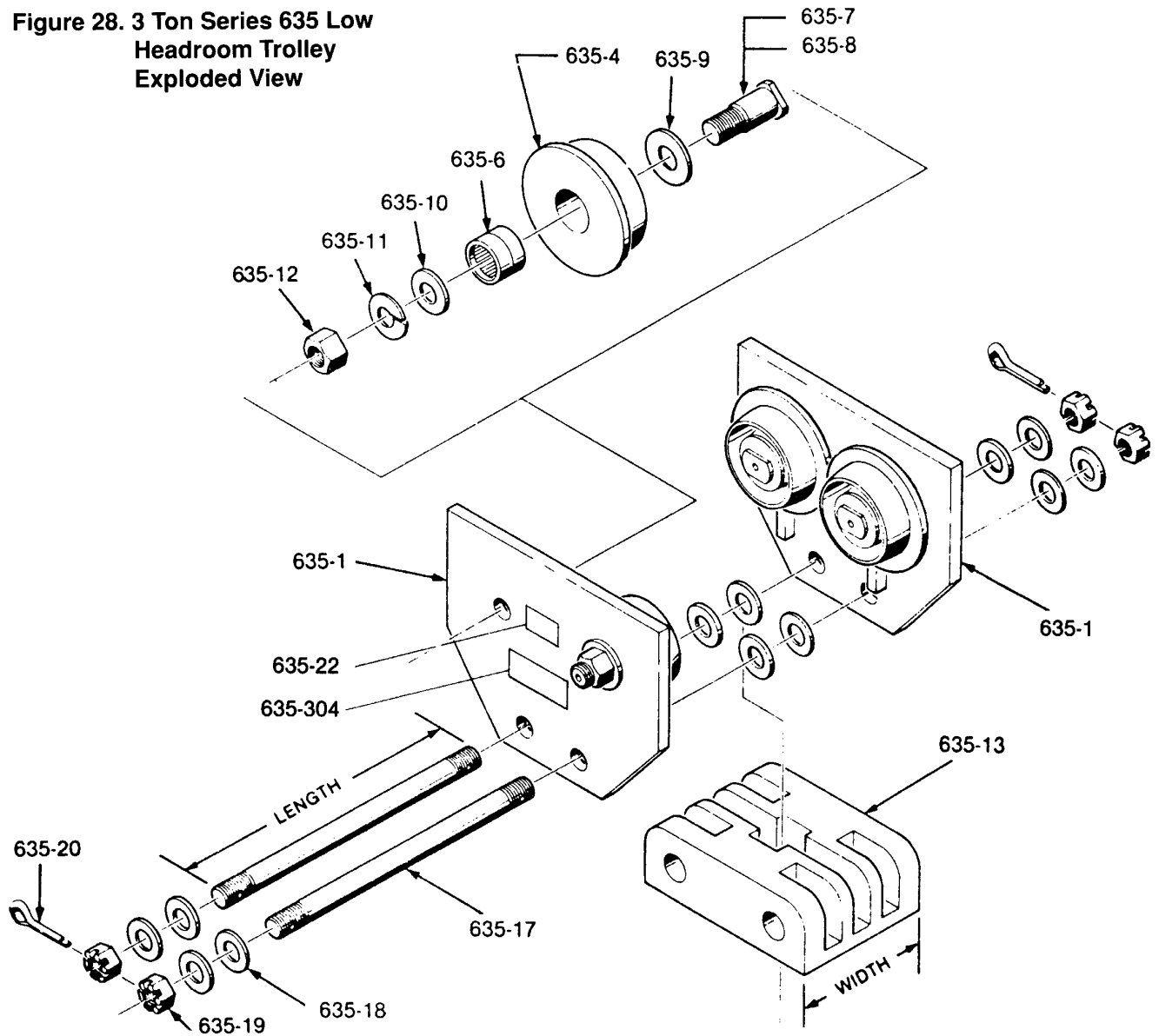
**These items are for the 1 Ton Trolley for operation on over 5.64" thru 7.00" flange widths.

***If side frame is equipped with spacer block, contact factory.

t These items are for the 2 Ton Trolley for operation on 3.33" thru 6.00" flange widths

tt These items are for the 2 Ton Trolley for operation on over 6.00" thru 8.25" flange widths.

Figure 28. 3 Ton Series 635 Low Headroom Trolley Exploded View



Key No.	No. Required	Part Name	Part Number
635-1	2	Side Frame-Plain Side (Does Not Include Wheels)	36696 For 4.0" Thru 5.63" Flange Widths, 36629 For Over 5.63" Thru 7 1/4" Flange Widths. If Frame Is Equipped With Trolley Guards, Contact Factory.
635-4	4	Trackwheel Plain	39002
635-6	4	Trackwheel Bearing	82113
635-7	4	Trackwheel Stud	36361
635-9	4	Trackwheel Washer-Steel	81014

635-10	4	Trackwheel Washer-Oilite	82046
635-11	4	Trackwheel Stud Lockwasher	987926
635-12	4	Trackwheel Stud Nut	988155
635-13	1	Load Bracket (Specify Width)	36012 (4 13/16" Wide), 36021 (6 7/16" Wide)
635-17	2	Suspension Bolt (Specify Length)	36367 (10 31/32" Long) For 4.00" Thru 5.63" Flange Widths - 36380 (13 3/32" Long) For Over 5.63" Thru 7.25" Flange Widths - If Bolt Length is Over 13 3/32", Contact Factory
635-18	30	Spacer Washer	936827
635-19	4	Suspension Bolt Nut	945835
635-20	4	Suspension Bolt Cotter Pin	988382
625-22	1	Warning Label	936984
635-30	1	Identification Label	936829