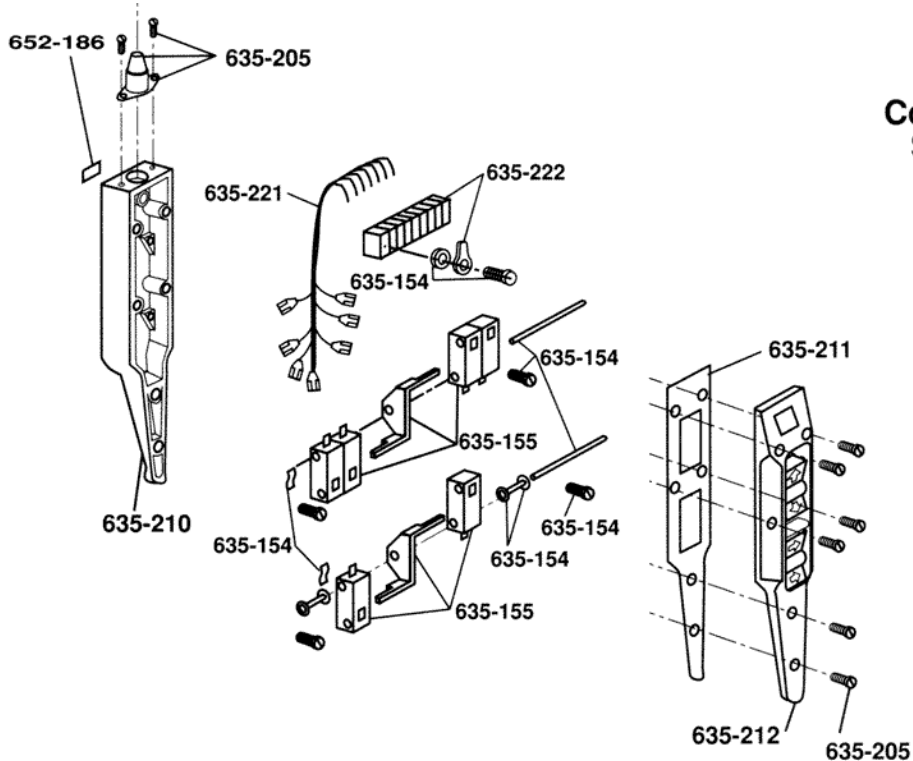
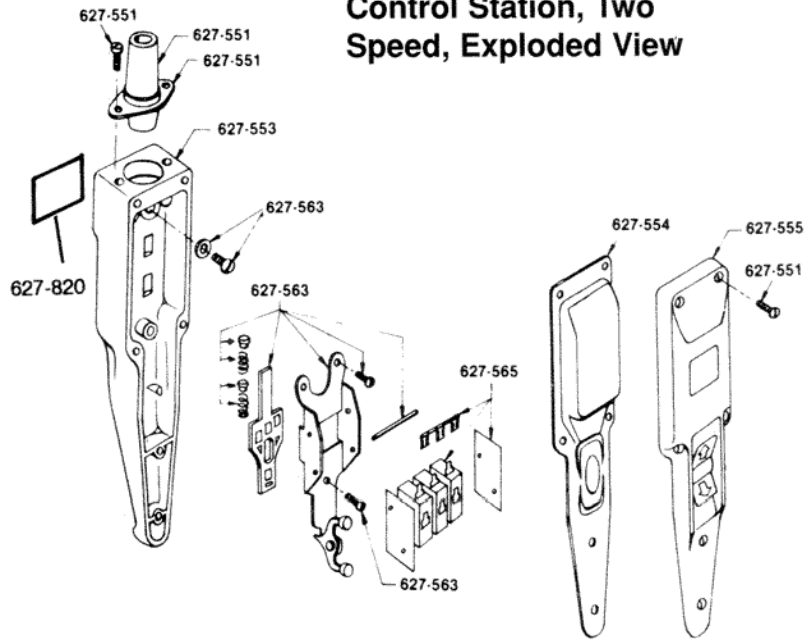
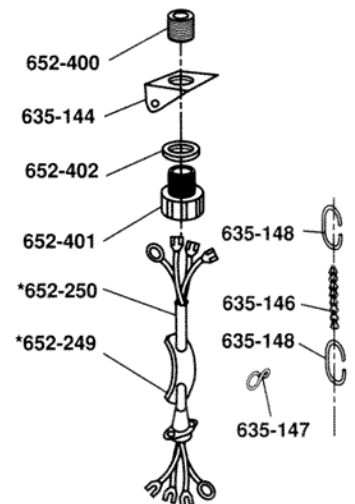


Lodestar XL Electric Chain Hoist Multifunction Control Station

Control Station, Two Speed, Exploded View



Control Cord, Chain Strain Relief and Related Parts



CM 4 Directional Control Station Parts List

Key No.	No. Req'd	Part Name	Part Number
635-144	1	Chain clip at hoist: 68704 for control cord with 8 conductors 57817 for control cord with 10 conductors	-
635-146	-	Control station support chain (Specify length req'd)	621431
635-147	-	Cable clip-specify no. req'd	54749
635-148	-	Open link-specify no. req'd	59883
635-154	1	Control station parts kit consisting of: 1-Strain cable attach, screw 1-Terminal strip spacer 2-Switch mounting pins 4-Pin retainer screws 2-Switch spacers 2-Switch spacer washers 6-Leaf springs	71601
635-155	1	Control station switch kit consisting of: 6-Switch 2-Interlocks	71602
635-156	1	Control station complete: *CM 4 directional (1 or 2 speed hoist with 1 speed trolley) 6 button type SPB (on-off, 1 speed hoist, 1 speed trolley) (For other control stations, contact CM.)	70620 58209 -
635-205	1	Control station kit consisting of: 1 -Grommet 1-Grommet retaining ring 2-Retaining ring screws 6-Cover screws	70507
635-210	1	Case	28874
635-211	1	Gasket	28877
635-212	1	Cover assembly (cover, rockers and decal)	71604
635-221	1	Wiring harness	51546
635-222	1	Terminal strip and mounting lug kit consisting of: 1-Terminal strip 2-Mounting lug	71603
652-186	1	Warning label	24842
652-400	1	Reducer (1" to 3/4")	89946
652-401	1	Connector for: 8 Conductor cord (3/4") 10 Conductor cord (1")	983979 89382
652-402	1	Sealing Ring For: 8 Conductor cord (3/4") 10 Conductor cord (1")	983963 984901

* Also order control station kit part number 70507